

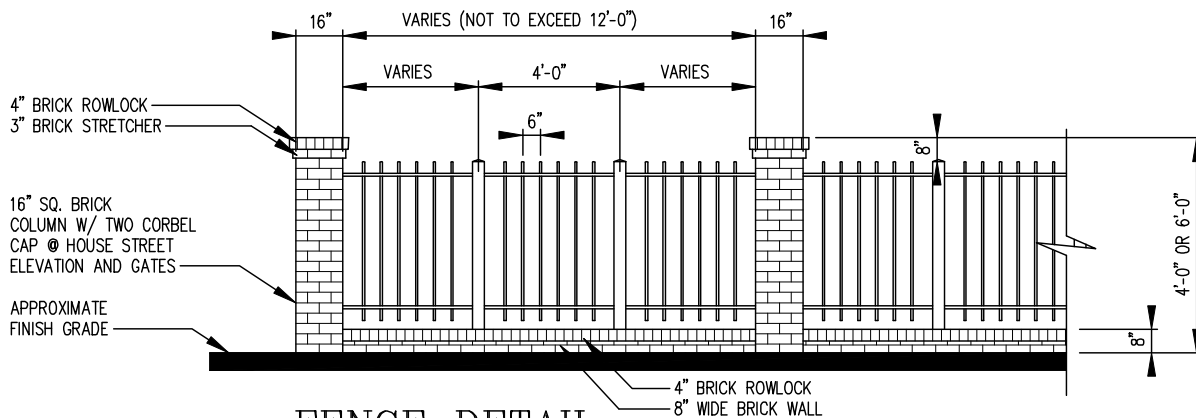
Wildewood and Woodcreek Farms

Standard Fence Details

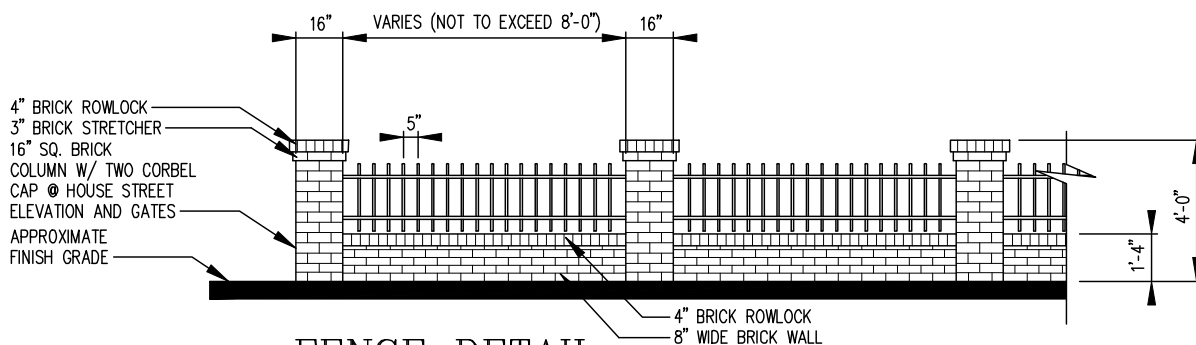
(Enclosing of Entire Yard)

Requirements:

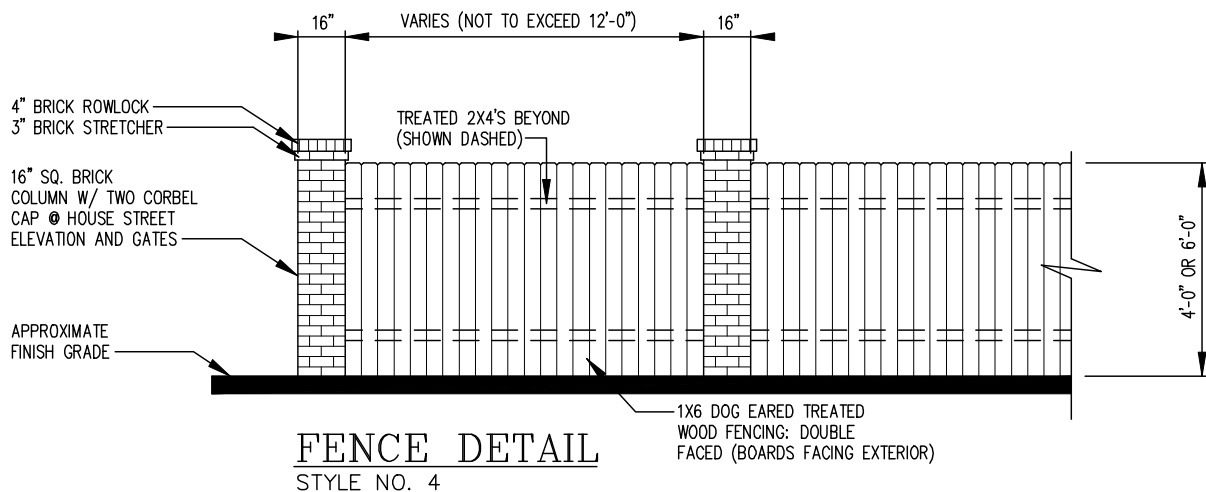
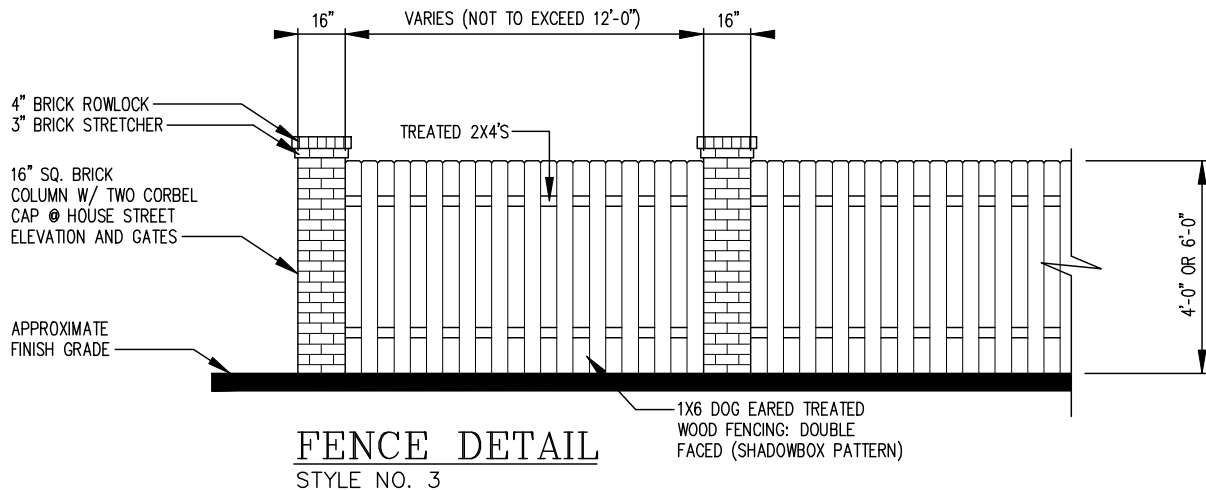
1. Owner to select only **one** of the fences shown. A plat denoting the placement of the fence shall be submitted to the Architectural Review Board for approval.
2. The height of the fence to be **4' or 6'**.
3. All wood fencing to be doubled-faced treated materials.
4. 16" x 16" columns with two corbels shall be positioned on the lot corners. Intermittent columns may also be required. Column spacing shall be determined by the Architectural Review Board. The façade of the columns shall match the home. (IE. Stucco or Brick)
5. All gate(s) shall be compatible to that of the fence.
6. Landscaping will be required on the exterior portion of the fence when visible from the street, lake, or golf course. The landscaping plan shall be submitted for architectural review at the same time that the fence plan is submitted. The variety and size of plant materials needs to be included. All landscaping shall be installed within 45 days from the construction of the fence.
7. Owner accepts all responsibility of landscaping and perpetual maintenance of the fence and landscaping.
8. Fences should be set back 40' from the golf course and lakes.

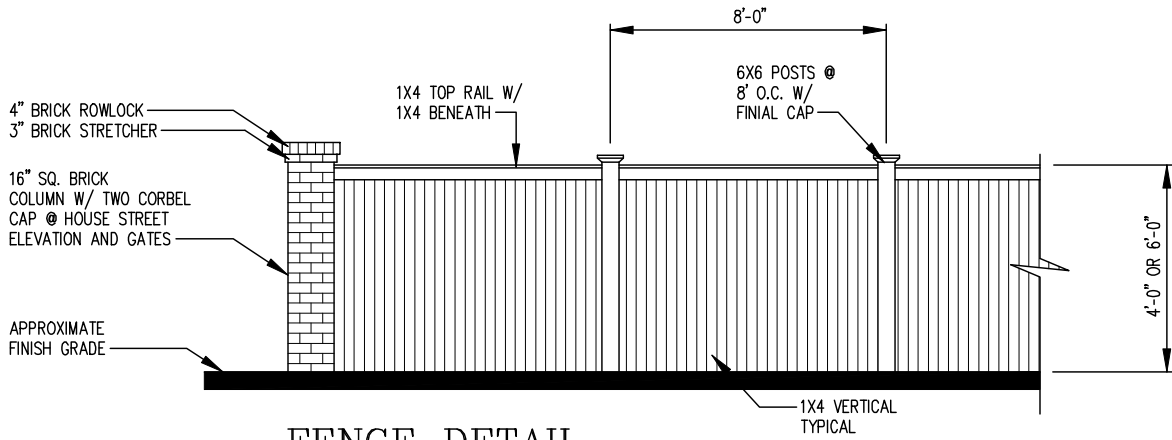


FENCE DETAIL
STYLE NO. 1

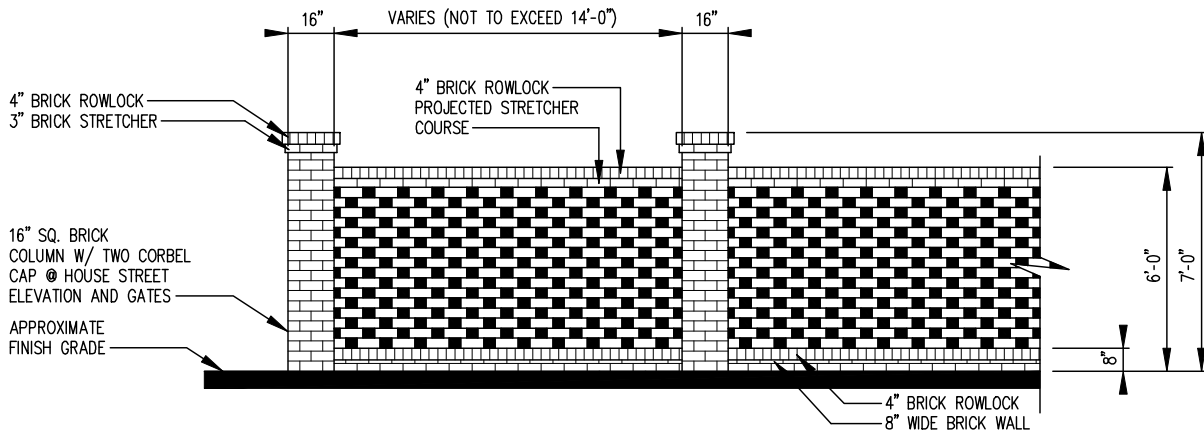


FENCE DETAIL
STYLE NO. 2

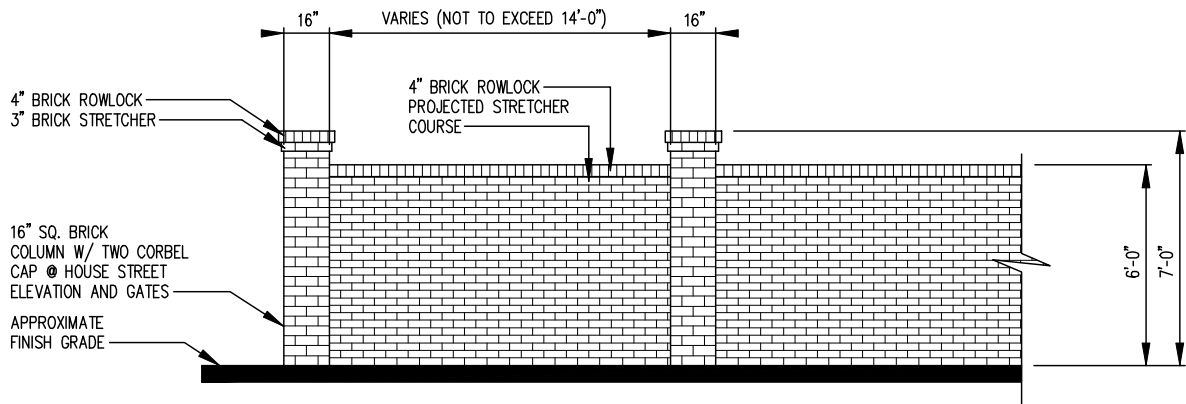




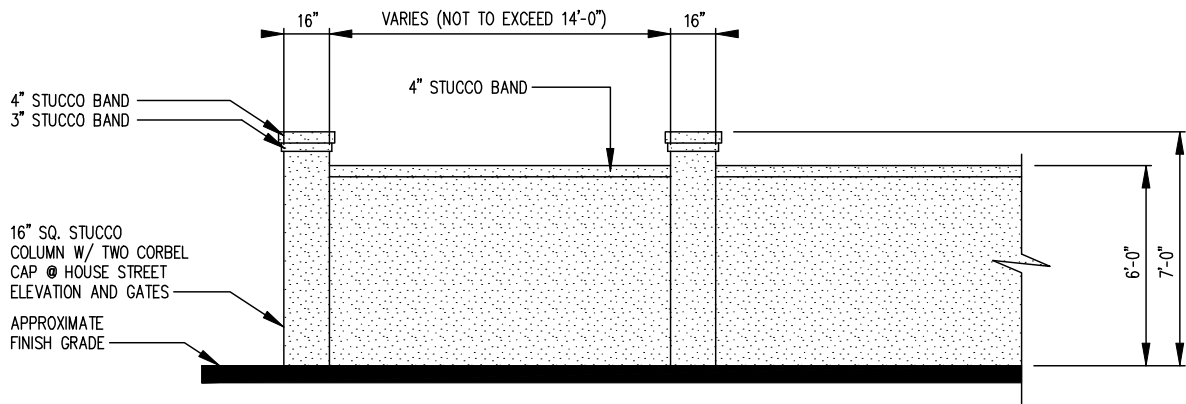
FENCE DETAIL
STYLE NO. 5



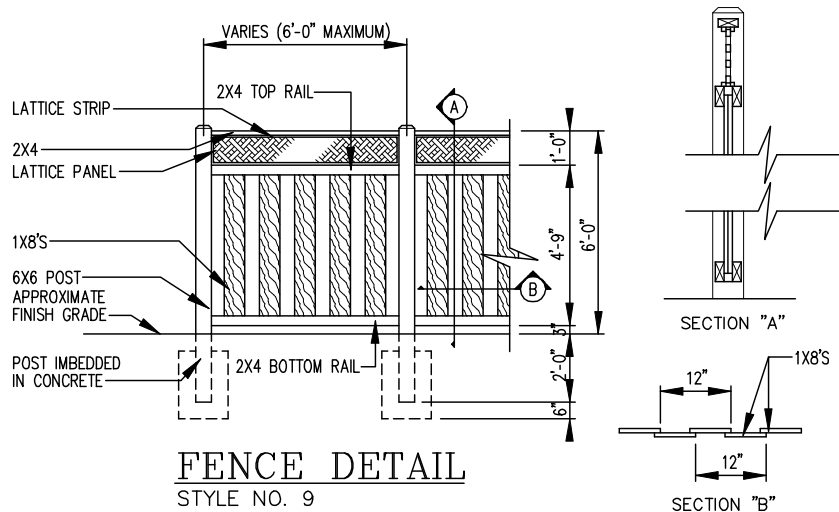
PEIRCED BRICK WALL DETAIL
STYLE NO. 6



BRICK PRIVACY WALL DETAIL
STYLE NO. 7



STUCCO PRIVACY WALL DETAIL
STYLE NO. 8



FENCE DETAIL
STYLE NO. 9

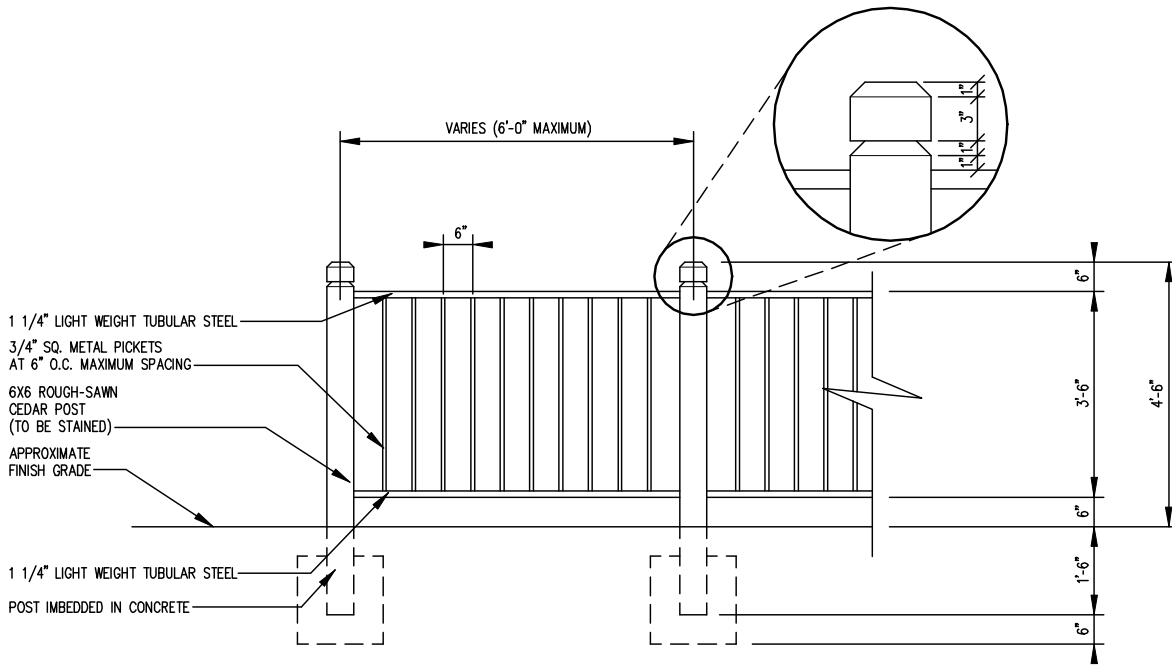
Wildewood and Woodcreek Farms

Standard Fence Details

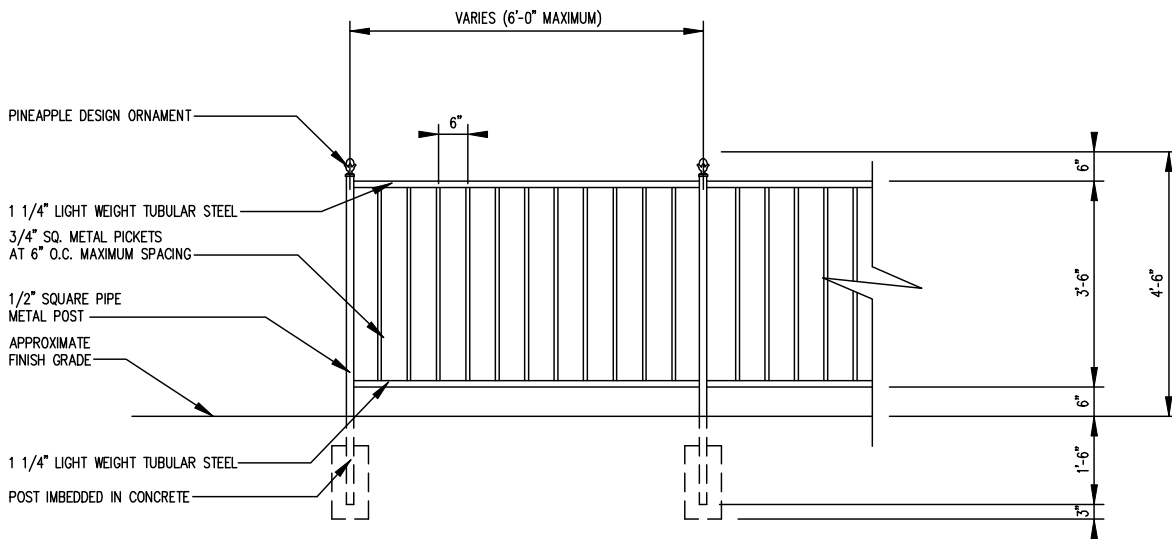
(Pool Surrounds and Dog Pens)

Requirements:

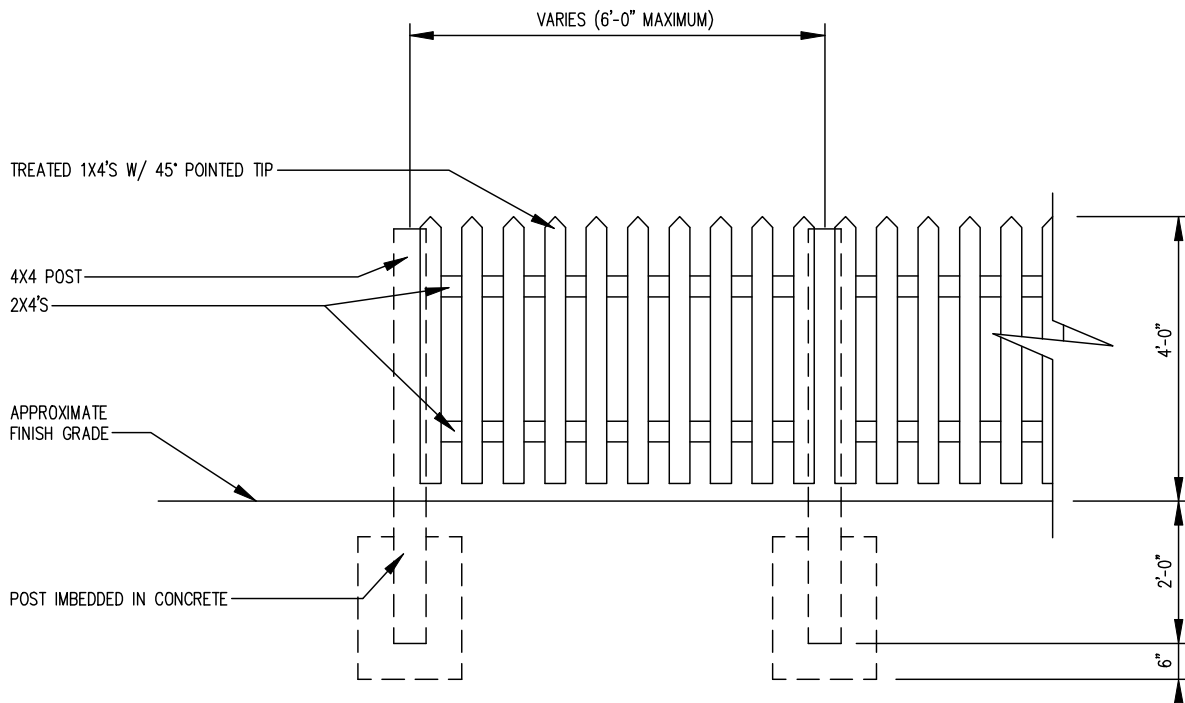
1. Owner to select only **one** of the fences shown. A plat denoting the placement of the fence shall be submitted to the Architectural Review Board for approval.
2. The height of the fence to be **4'**
3. All wood fencing to be either cedar or treated wood – stained or painted. Submit paint or stain color.
4. 16" x 16" columns with two corbels may be required by architectural review board.
5. All gate(s) shall be compatible to that of the fence.
6. Landscaping will be required on the exterior portion of the fence when visible from the street, lake, or golf course. The landscaping plan shall be submitted for architectural review at the same time that the fence plan is submitted. The variety and size of plant materials needs to be included. All landscaping shall be installed within 45 days from the construction of the fence.
7. Owner accepts all responsibility of landscaping and perpetual maintenance of the fence and landscaping.
8. Fences should be set back 40' from the golf course and lakes.



FENCE DETAIL
STYLE NO. 1



FENCE DETAIL
STYLE NO. 2



FENCE DETAIL

STYLE NO. 3